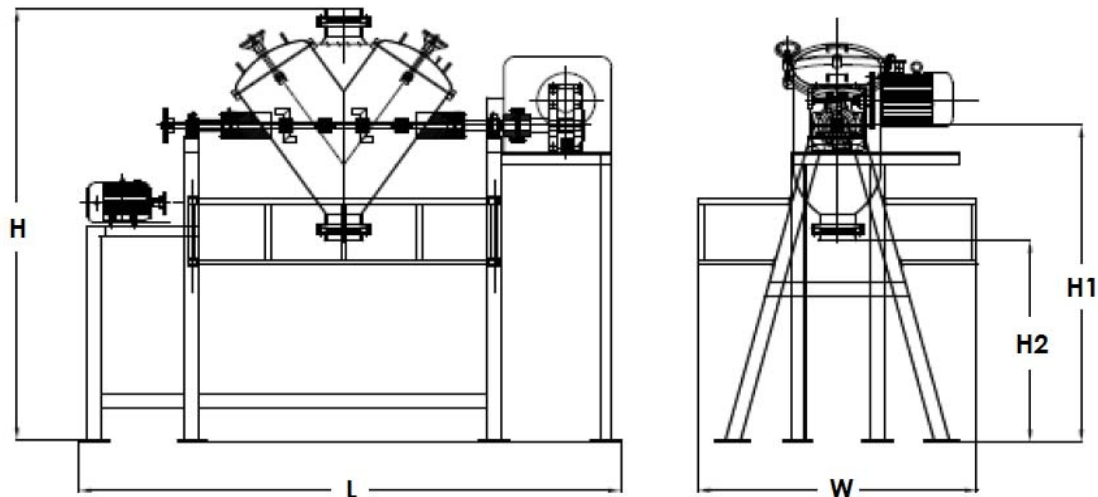


V Cone Tumble Blender Specifications and Dimensions



STANDARD FEATURES:

- Suitable for bulk densities up to 150 lb/cu.ft.
- Atmospheric design V cone vessel
- Stainless steel type 316 wetted parts
- 150-grit interior finish, 80-grit exterior finish
- Manually-operated butterfly discharge valve
- Hinged charging port
- Carbon steel safety railing with limit switches and A-frame support structure, painted with durable two-part epoxy coating
- TEFC motor designed for 230/460 volt, 3 phase, 60 Hz

AVAILABLE OPTIONS:

- Higher horsepower for handling higher bulk densities
- Full vacuum design
- Mirror finish
- All stainless steel construction
- Intensifier bar
- Explosion-proof or special voltage/frequency motor
- Jacketed vessel for heating and/or cooling
- Insulation and sheathing
- Control panel, explosion-proof operator station or PLC recipe controls

Model Number	Working Capacity		Full Holding Capacity		Standard HP	RPM	Dimensions (inches)				
	cu.ft.	liters	cu.ft.	liters			L	W	H	H1	H2
VCB-0.25	0.25	7	0.4	11	1.5	36	32	30	40	28	24
VCB-0.5	0.5	14	0.7	20	1.5	36	60	32	48	36	24
VCB-1	1	28	1.5	42	2	36	70	43	52	38	24
VCB-2	2.5	71	3.75	106	3	24	80	53	56	38	24
VCB-5	5	142	7.5	212	5	24	95	63	98	65	24
VCB-7.5	7.5	212	11	311	7.5	20	100	70	102	68	36
VCB-10	10	283	15	425	10	20	108	86	110	71	36
VCB-15	15	425	22	623	15	20	126	98	118	83	36
VCB-20	20	566	30	850	25	16	138	109	126	83	36
VCB-25	25	708	37	1048	25	12	149	118	134	83	36
VCB-30	30	850	45	1274	25	12	158	120	140	85	36
VCB-50	50	1416	75	2124	30	10	189	138	162	98	36
VCB-75	75	2124	112	3171	30	10	205	138	177	106	36
VCB-100	100	2832	150	4248	40	8	216	177	189	114	36



CHARLES ROSS & SON COMPANY

P.O. Box 12308, 710 Old Willets Path, Hauppauge, NY 11788

Telephone: 631-234-0500 • Fax: 631-234-0691

Website: www.mixers.com • Email: sales@mixers.com